

APPROVED *Ed Anderson*

REV.	ALTERATION	DATE	BY
A	QUANTITY CHANGED	04/30/99	A.A.

KING ORDER No.:
241085

CUSTOMER ORDER No.:
06041055

SPECIFICATIONS

CATALOGUE NO.: K85-EGP-III-400(MOG)
 -MH-480

QUANTITY: **2**
 GLOBE MAT'L.: GLASS
 IES CLASSIFIC.: TYPE III
 WATTAGE: 400W
 LIGHT SOURCE: METAL HALIDE
 VOLTAGE: 480V
 PAINT: FEDERAL GREEN
 OPTIONS: SAFETY CHAIN

LAMP: BY OTHERS, VERTICAL

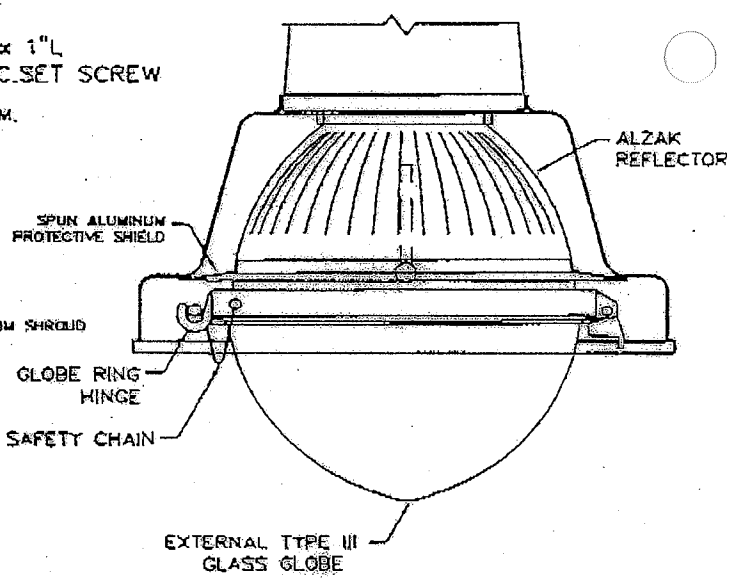
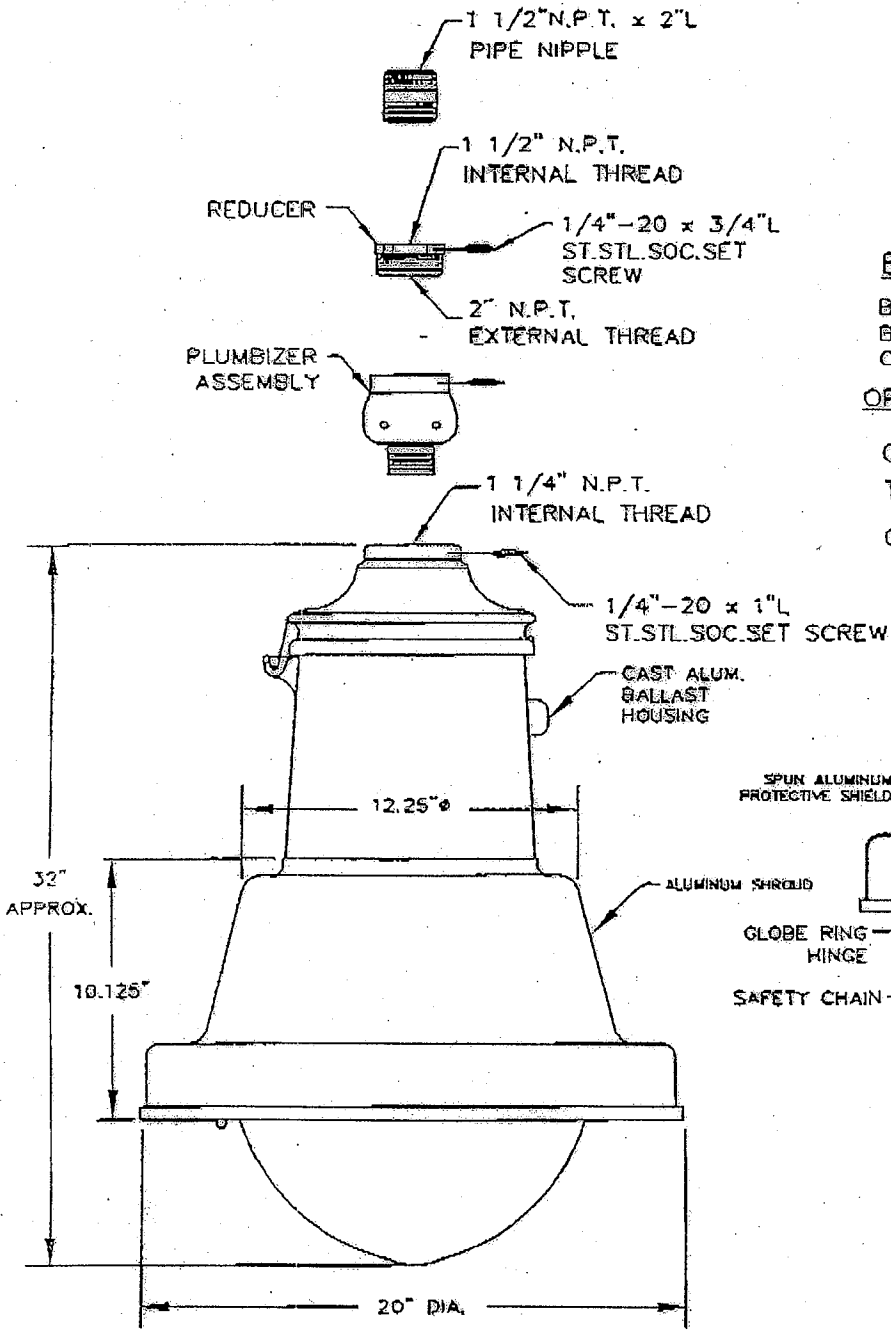
BALLAST INFORMATION:

BALLAST TYPE: CWA
 BALLAST MANUFACTURER: ADVANCE
 CATALOG NUMBER: 71A6041

OPTIONS:

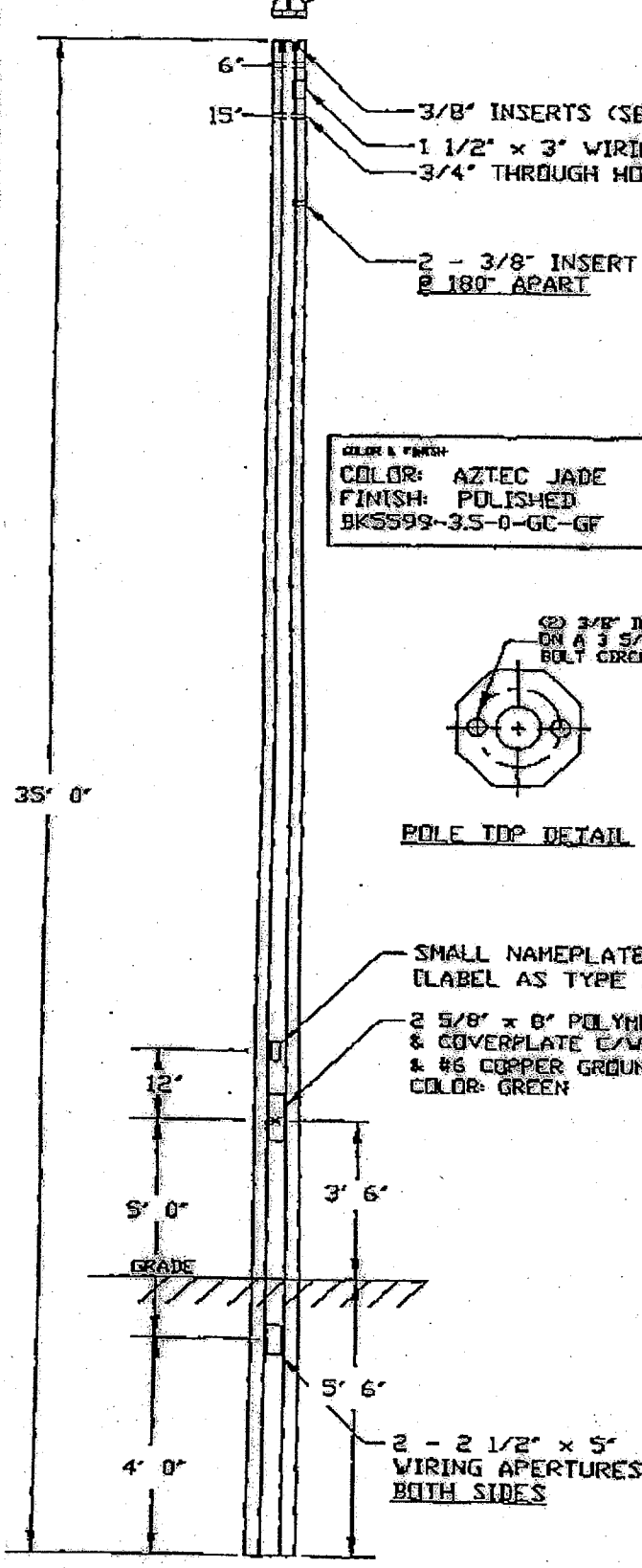
QUICK DISCONNECT
 TERMINAL BLOCK

OTHER:



KING LUMINAIRE			
KING LUMINAIRE, INC. 222 2ND ST. W. WILSONVILLE, ONTARIO, CANADA L9M 2G9 1122 STATE ST. W. WILSONVILLE, OHIO 45395 U.S.A. 419-937-1111		400 2ND ST. W. WILSONVILLE, ONTARIO, CANADA L9M 2G9 1122 STATE ST. W. WILSONVILLE, OHIO 45395 U.S.A. 419-937-1111	
DRAWN BY: GR CHECKED BY: <i>AG</i> PROJECT:	DATE: 990420 SCALE:	DATE: 990420 SCALE:	REV. A SPEC/FGC
FLORIDA GULF COAST UNIVERSITY		FLORIDA GULF COAST UNIVERSITY	
DRAWING NAME: K85 LUMINAIRE		DRAWING NO.: FBCU-3	

REV.	ALTERATION	E.C.N.	DATE	BY

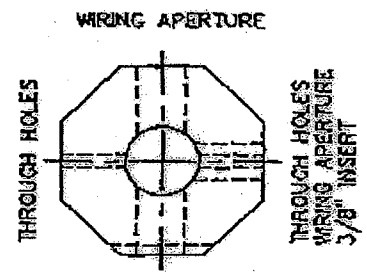
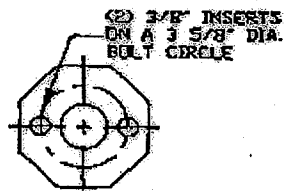


DRAWING NO. DMC ORDER NO. S4302B
CUSTOMER ORDER NO. P0000787

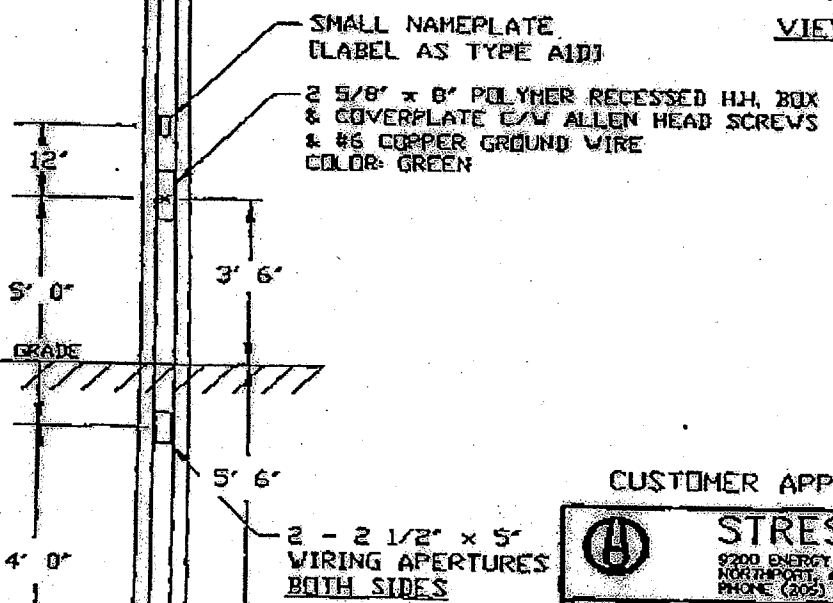
SPECIFICATIONS

CATALOGUE NO.:	E-350-BPD-G-S51
	C/W FC
	C/W KA30-S-1-72
SECTION:	OCTAGONAL
COLOR:	AZTEC JADE
FINISH:	POLISHED
POLE TOP:	5 3/8' FL/FL
POLE BUTT:	9 3/4' FL/FL
POLE LENGTH:	30' 0"
APPROX. WGT.:	1,201 lbs
QUANTITY:	8

COLOR & FINISH:
 COLOR: AZTEC JADE
 FINISH: POLISHED
 BK5599-3.5-0-GC-GF



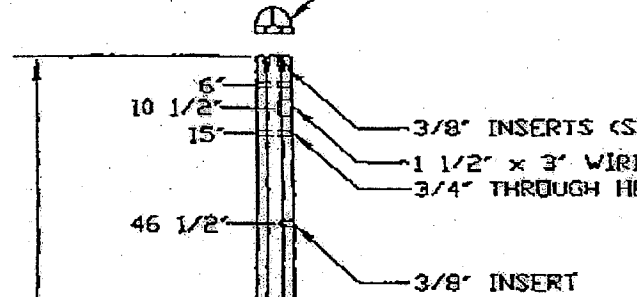
VIEW FROM TOP



CUSTOMER APPROVAL: *E. Anderson*

STRESSCRETE INC. 9200 ENERGY LANE NORTHPORT, ALABAMA 36476-3442 PHONE (205) 339-0711 FAX (205) 339-1640				
DRAWING NAME:	DMC NUMBER:	DATE:	DRN. BY:	REV.
APPROVAL DVG.	S4302B	07/30/03	E.J.	
PROJECT/CUSTOMER:			GNEAD/CAD/ORDERS/OCT/03/S4302B	
FLORIDA GULF COAST UNIVERSITY				

POLE TOP: 5 3/8" FL/FL	FOUR FIN CAP (PAINTED GREEN)	REV.	ALTERATION	E.C.N.	DATE	BY
------------------------	------------------------------	------	------------	--------	------	----



STRESSCRETE INC. ORDER NO.
S4302A

CUSTOMER ORDER NO.
P0000787

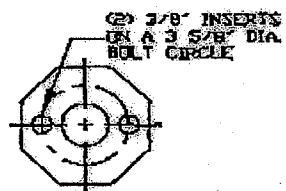
SPECIFICATIONS

CATALOGUE NO.: E-300-BPO-G-S51
C/W FC
C/W KA30-S-1-72

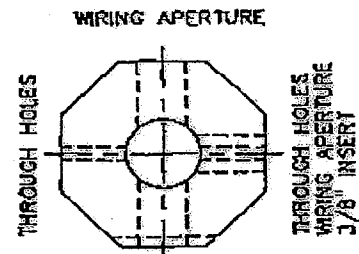
SECTION: OCTAGONAL
COLOR: AZTEC JADE
FINISH: POLISHED

POLE TOP: 5 3/8" FL/FL
POLE BUTT: 9 1/8" FL/FL
POLE LENGTH: 30' 0"
APPROX. WGT.: 1,201 lbs
QUANTITY: 4

COLOR & FINISH
COLOR: AZTEC JADE
FINISH: POLISHED
BK5599-3.5-0-GC-GF

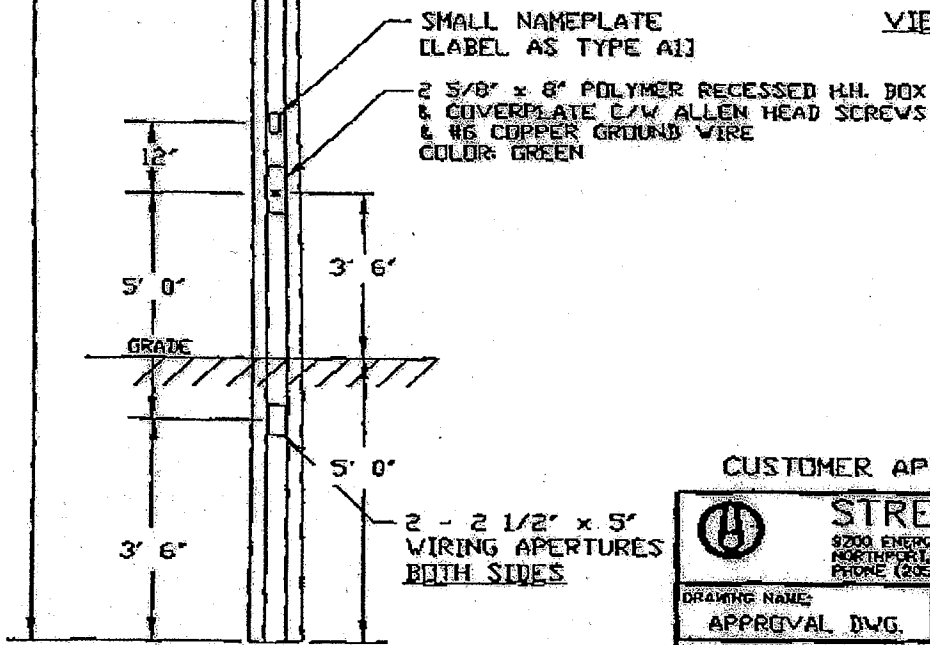


POLE TOP DETAIL




WIRING APERTURE
H.H. BOX & NAMEPLATE
VIEW FROM TOP

30' 0"



CUSTOMER APPROVAL: *E. Anderson*

 STRESSCRETE INC. 9200 ENERGY LANE NORTHPORT, ALABAMA 35476-3442 PHONE (205) 338-0711 FAX (205) 338-4840				
DRAWING NAME: APPROVAL DWG.	DWG. NUMBER: S4302A	DATE: 07/30/03	DRW. BY: B.J.	REV.
PROJECT/CUSTOMER: FLORIDA GULF COAST UNIVERSITY		H-CAD/CAD ORDERS DET S4302A		

REV.	ALTERATION	E.C.N.	DATE	BY
A	QUANTITY CHANGED		04/30/99	A.A.
B	HARDWARE LENGTH CHANGED		06/18/02	A.A.

KING U.S. ORDER NO.
 24108 F

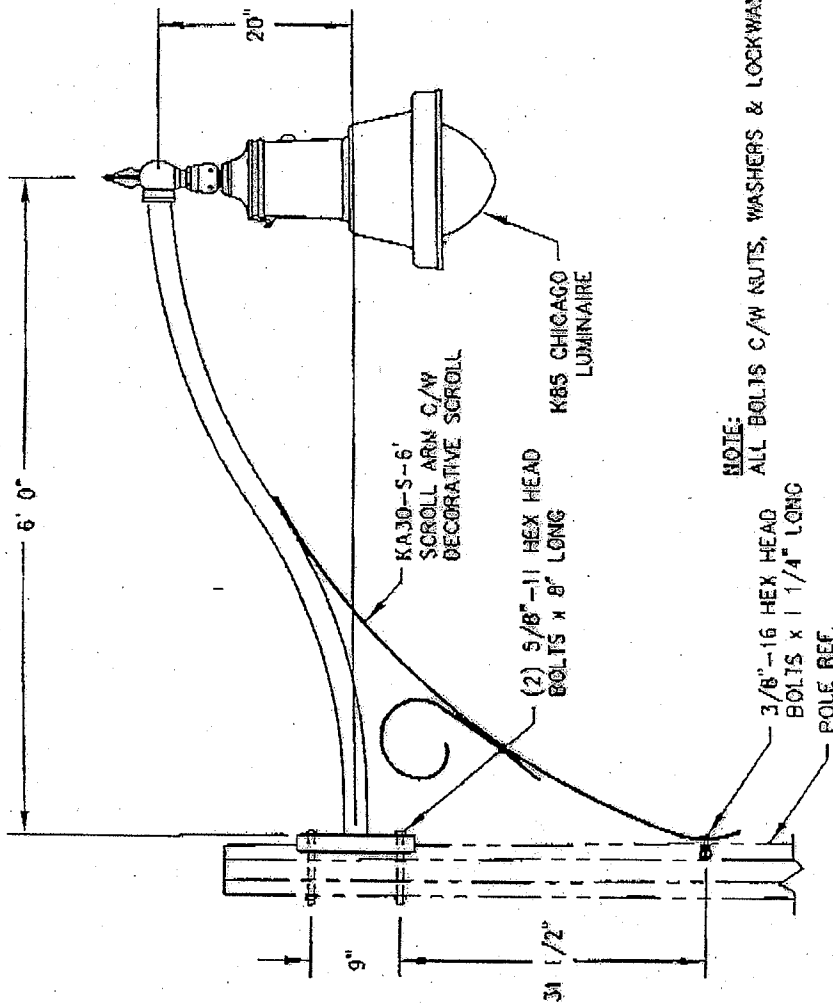
CUSTOMER ORDER NO.
 06041055

LUMINAIRE SPECIFICATIONS
 CATALOGUE NO.: K85-EGP-III-400(MOC)
 -NH-480
 TYPE "A" =
 TYPE "A2" =

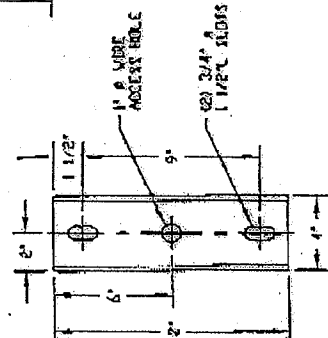
GLOBE, MAT'L: GLASS
 IE'S CLASSIFIC.: TYPE III
 WATTAGE: 400W
 LIGHT SOURCE: METAL HALIDE
 LINE VOLTAGE: 480V
 PAINT: FEDERAL GREEN
 OPTIONS:

ARM SPECIFICATIONS
 CATALOGUE NO.: K430-S-6'
 QUANTITY: TYPE "A" =
 TYPE "A2" =
 MATERIAL: ALUMINUM
 PAINT: FEDERAL GREEN

NOTE: LAMP BY OTHERS



NOTE:
 ALL BOLTS C/W NUTS, WASHERS & LOCKWASHERS
 3/8"-16 HEX HEAD
 BOLTS x 1 1/4" LONG
 POLE REF.



KING LUMINAIRE
 COMPANY INC.
 840 WALKER'S LINE, P.O. BOX 7,
 BURLINGTON, ONTARIO, CANADA L7R 3K9
 U.S.A. 41687

DRAWN BY: GR	DATE: 990420	DWG. SIZE: B	REV. B
CHECKED BY: RR	SCALE:	CAD. NO.: \SPEC\FGCU	
PROJECT NAME: FLORIDA GULF COAST UNIVERSITY TYPE A & A2			
DRAWING NAME: APPROVAL DRAWING			SHEET OF
DRAWING NO.: FGCU-1			

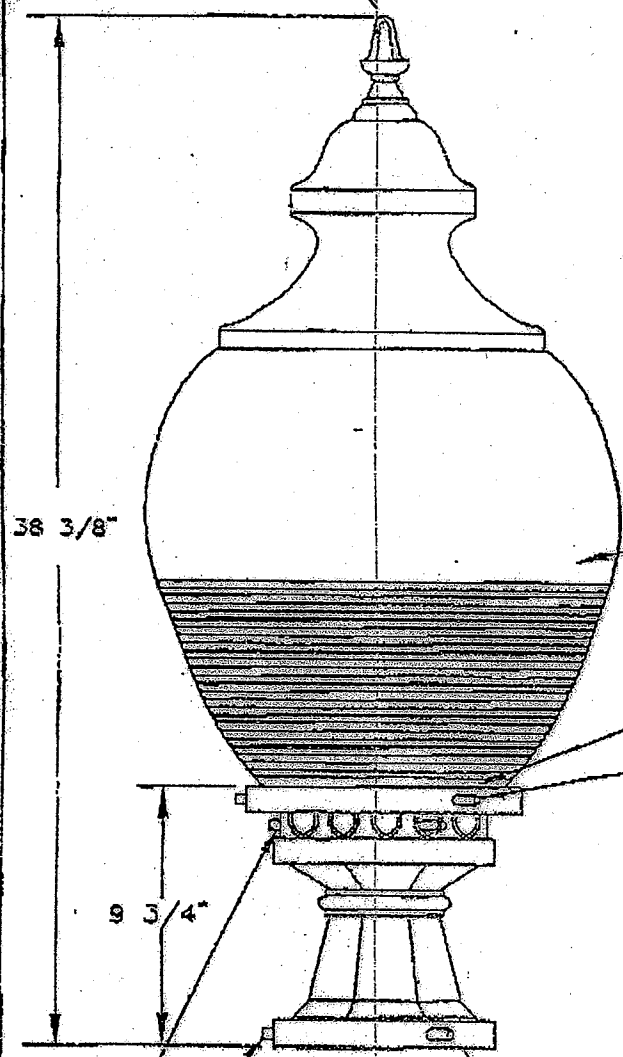
MOUNTING DETAIL
 1" x 3/4" x 1/4" THK
 ALUMINUM CHANNEL

REV.	ALTERATION	DATE	BY

CUSTOMER ORDER NO.:
 241082

KING KI-ORDER ORDER NO.:
 06041055

#1 FINIAL
 CAST ALUMINUM
 PAINT: GOLD



BALLAST INFORMATION:

BALLAST TYPE: HX-HPF
 BALLAST MANUFACTURER: ADVANCE
 CATALOG NUMBER: 71A5390

OPTIONS:

QUICK DISCONNECT

OTHER: _____

X118E GLOBE
 ACRYLIC

GLOBE BASE
 (CAST ALUMINUM)

(3) 3/8" x 1 1/2" L ST.STL.
 CUP-TIP SET SCREWS @ 120° APART

SPECIFICATIONS:

CATALOGUE NO.: K118-EAR-V-100(MED)
 -MH-104(MT)-K5/K9
 QUANTITY: 2
 GLOBE MAT'L: ACRYLIC
 IES CLASSIFIC.: TYPE V
 WATTAGE: 100W
 LIGHT SOURCE: METAL HALIDE
 LINE VOLTAGE: 120 V (MULTI-TAP)
 POLE ADAPTOR: K5/K9 (PAINT: FED. GREEN)
 OPTIONS:

NOTE: LAMP BY OTHERS

CUSTOMER APPROVAL: _____

K5/K9 CAPITAL
 CAST ALUM.
 PAINT: FEDERAL GREEN
 TO FIT OVER 7"
 O.D. ALUM. RING

2 SETS OF (3) 3/8" x 3/4" L
 ST.STL. CUP-TIP SET SCREWS
 @ 120° APART

KING LUMINAIRE
 COMPANY INC.
 140 VALLEY LANE, P.O. BOX 7, RD. BOX 366, JEFFERSON, OHIO
 WASHINGTON, ONTARIO, CANADA L7R 3K9 1153 STATE ROUTE 404
 U.S.A. 44027

DRAWING NAME: K118 APPROVAL	DWG NUMBER: FGCU-13	DATE: 06/18/04	DWG BY: A.A.	REV.
PROJECT/CUSTOMER: FLORIDA GULF COAST UNIVERSITY (TYPE B)				CHK BY: <i>[Signature]</i>

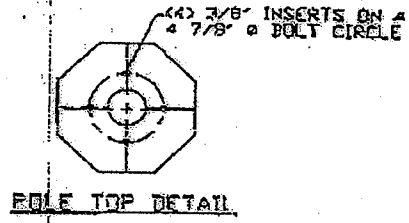
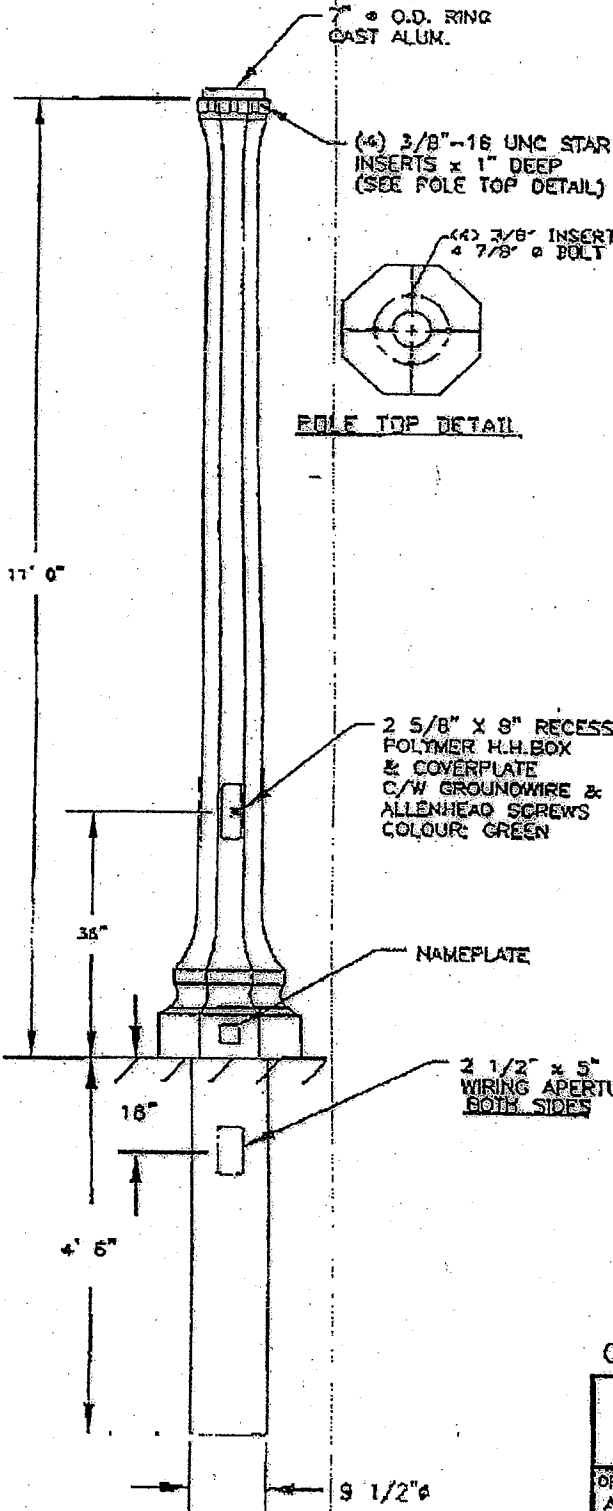
1 SPECY/FGCU

POLE TOP: 9' FL/FL

REV.	ALTERATION	E.C.N.	DATE	BY

S.C. ORDER NO.
 24108K

CUSTOMER P.O. NO.
 0641055



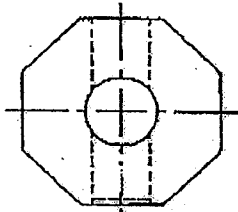
SPECIFICATIONS:

CATALOGUE NO.:	KBF11-G-SS1 S/F K5
SECTION:	OCTAGONAL
COLOUR:	AZTEC JADE
FINISH:	POLISHED
POLE TOP:	9' FL/FL
POLE BUTT:	9 1/2" DIA.
POLE LENGTH:	15' 6"
APPROX. WGT.:	1,070 lbs
QUANTITY:	2

COLOUR & FINISH:
 SS1 AZTEC JADE
~~BLACK 00-00-01~~


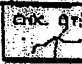
GREEN
 JADE

COATINGS REQUIRED:
 - 2 COATS VEX-HSFT ACRYLIC
 FULL LENGTH



TOP VIEW

CUSTOMER APPROVAL: _____

 StressCrete Limited 840 WALKER'S LINE, P.O. BOX 7 BURLINGTON, ONTARIO CANADA L7R 3X9				
DRAWING NAME: APPROV./MFG. DWG.	DWG. NO.: 24108K	DATE: 06/18/04	DRN. BY: A.A.	REV.
PROJECT/CUSTOMER: FGCU				CHK. BY: 

NBEL 24108K